

COVERT™ SINGLE-PIN

DETACHABLE BRACKET MODELS

AG2311BD | AG2321BD

LEFT-HAND SET-UP

1. Locate the aperture mounting screw inside the sight aperture. Use a 1/8 in. hex tool to move the screw. Flip the aperture over and install on the opposite side, making sure to retain the nylon anti-rotation washer. (The aperture will now appear to be upside down).
2. Remove the bubble level housing using a small Phillips head screwdriver (two small screws on bottom of level assembly). Reinstall on the opposite side of the sight aperture.
3. Using a 9/64 in. hex tool, remove the GRAVITY-LINE™ lock screws on the mounting bracket. Reverse the mounting bracket and reinstall the lock screws. DO NOT OVER TIGHTEN.
4. The maximum yardage stop is now on the incorrect side of the track. Using a 1/16 in. hex tool, loosen the set screw from the maximum yardage stop. Slide the stop out of the top of the track, and insert from the bottom of the track. Tighten the set screw. DO NOT OVER-TIGHTEN. The final position of this stop will be determined during the sight-in process.
5. Install the sight on a left-handed bow using a 1.8 in. hex tool and the set screws provided.
6. Note – when installing new yardage tapes on the left-hand setup, the 20-yard position is at the bottom of the elevation slide (opposite of the same tape that was pre-installed on the sight).

WINDAGE ADJUSTMENT (LEFT/RIGHT)

1. Gang adjustment: If necessary, remove the gang adjustment screws (9/64 in. hex) and reposition the aperture to the approximate centershot position (3 mounting locations). This is used for large/course adjustments to fit risers of different sizes without running out of windage adjustment.
2. Micro-adjustment: Loosen the windage lock screw (9/64 in. hex) and adjust the aperture left or right using the windage adjustment knob. Always re-tighten the lock screw prior to shooting (DO NOT OVER-TIGHTEN). Do not attempt to turn the windage dial when the lock screw is still tightened; the windage will not move and you may unintentionally start removing the windage knob.

ELEVATION SETUP (UP/DOWN/DISTANCE)

1. Rotate the yardage adjustment knob to align the yardage pointer with the 20-yard mark on the pre-installed yardage tape. Re-tighten the yardage lock.
2. Loosen the elevation lock screws (1/16 in. hex) and vertically adjust the aperture until sighted in at 20 yards. Do not turn the yardage adjustment knob during this step. Re-tighten the elevation lock screws (1/16 in. hex) prior to shooting (DO NOT OVER-TIGHTEN).
3. Loosen the yardage lock. Pick a second yardage distance (50 yards is recommended) and sight-in at this distance by turning the yardage adjustment knob to move the pin down to the proper position. Do NOT move or change anything else during this step.
4. With two distances sighted-in, choose one of the supplied pre-printed tapes that most closely matches the gap between the 20-yard marking and the current position. (based on your sight-in distance, 20 and 50 is recommended). Apply the tape to the sight [see sample tape position]. The yardage pointer will help index the “20” marking on the tape. A set of calipers can also be used to select the tape.
5. Shoot various distances to confirm the yardage markings on the tape. Small windage and elevation adjustments can be made. If significant adjustments are needed, use a different yardage tape that more closely matches your arrow flight.

MAX. YARDAGE STOP

WARNING: The adjustable yardage stop (1/16 in. hex) must be installed and positioned correctly to limit the downward movement of the aperture. Make sure the aperture does not obstruct the path of the arrow or vanes in its lowest position. This could cause serious injury and damage to your equipment

GRAVITY-LINE™ ADJUSTMENT

The GRAVITY-LINE adjustment ensures your pins are vertically aligned to gravity (and the drop of the arrow).

1. Slightly loosen the GRAVITY-LINE lock screws (9/64 in. hex). Rotate the aperture so that all pins are aligned to the bowstring. This is a good starting point—more adjustment may be needed.
2. Shoot multiple arrows from a distance of 20 yards, moving the aperture (turning the yardage knob) between shots. A vertical plumb line is helpful during this step.
3. The arrows should be in a vertical line. If the arrows are in an angled line (drifting either left or right as you turn the yardage knob), loosen the GRAVITY-LINE lock screws and adjust accordingly.
4. Re-tighten the GRAVITY-LINE lock screws before shooting (DO NOT OVER-TIGHTEN).



COVERT™ SINGLE-PIN

DETACHABLE BRACKET MODELS

AG2311BD | AG2321BD

LEVEL ADJUSTMENT

1. Loosen the level lock [1/16 in. hex].
2. The level may be rotated around the level lock [3rd Axis, 1/16 in. hex] or tilted horizontally using the two set screws. [.050 in. hex]
3. Hold the level in place while re-tightening the level lock [DO NOT OVER-TIGHTEN]. Please note that the level has been factor set and should work with most bow set-ups.

APERTURE ALIGNMENT

The aperture can be adjusted to align the pins with the bowstring.

1. Loosen the top windage gang adjustment lock screw [9/64 in. hex].
2. Slightly loosen the bottom windage gang adjustment lock screw [9/64 in. hex]. The aperture can now be rotated.

Always re-tighten both lock screws prior to shooting [DO NOT OVER-TIGHTEN].

The aperture can also be adjusted to better align with the peep sight [for a clean ring view that does not show the inside or outside of the housing] using the forward/back [9/64 in. hex] or up/down [1/8 in. hex] aperture tilt adjustments. After making an adjustment, tighten screws firmly to prevent additional motion [DO NOT OVER-TIGHTEN].

VERSA•PIN™ ADJUSTMENT

Model AG2311BD comes equipped with the VERSA•PIN systems, which allows you to easily change pin size or color without changing the point of impact. The AG2321BD model uses a fixed position pin with all-green fiber and is not adjustable.

1. To change color, loosen the set screw on the top of the VERSA•PIN [.050 in. hex]. Slide the VERSA•PIN forward or back on the VERSA•TRACK. The fiber inside the VERSA•PIN is colorless and will inherit the green, red, or yellow colors from the fibers in the track. Once you have selected the desired color, tighten the set screw [DO NOT OVER-TIGHTEN].
2. The COVERT sight is pre-installed with a .019 in. diameter pin. A .010 in. pin is also included. If the smaller pin is desired, loosen the set screw [.050 in. hex] and slide the larger pin out of the VERSA•TRACK. Replace with the pin, and select the desired color [see step one].
3. After changing pin size or color, shoot to confirm the point of aim, and make any necessary adjustments.

DETACHABLE BRACKET

The detachable mounting bracket can be used to extend the sight radius in 5 different positions. Each position is laser-marked on the bracket; always use the same position [where the bow was sighted-in] for best accuracy.

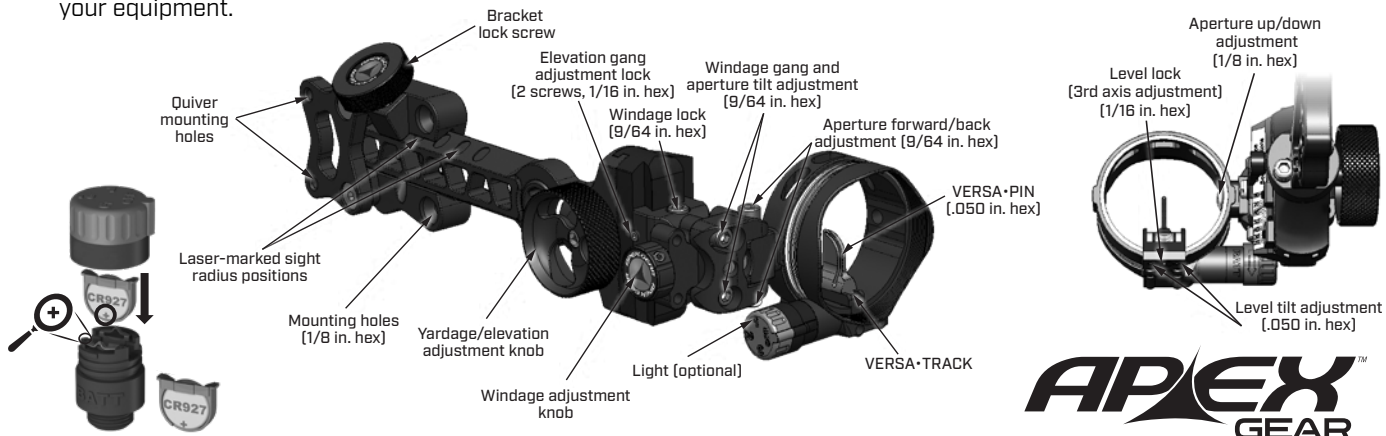
The sight can also be retracted or completely detached for travel/storage. Always tighten the bracket lock screw [even when the sight is removed] to prevent the loss of this piece [DO NOT OVER-TIGHTEN].

OPTIONAL LED LIGHT INSTALLATION

1. Locate the individually packaged light. Assemble the light as shown [see illustration below]. Note the battery direction indicated on the light housing.
2. Mount light in threaded hole on the sight bracket. An extra battery and battery tray are also included.

NOTE: The use of a lighted archery sight is not legal in all hunting areas. Please check local ordinances.

WARNING: Failure to follow instructions and warnings could cause serious injury. Always wear eye protection when using archery equipment and never dry fire a bow. Prior to use, always make sure your equipment is in good working condition [screws are tight, etc.]. Before firing a bow, make sure nothing is in the path of the arrow or beyond the target [an adequate safety zone must be maintained]. Always begin shooting at a relatively close distance to your target in order to first verify the accuracy of your equipment.



WARNING: This product can expose you to chemicals including chromium, which is known to the State of California to cause cancer and birth defects or other reproductive harm. For more information go to www.P65Warnings.ca.gov.

ART20J28JL

525 INTERNATIONAL PARKWAY, RICHARDSON, TEXAS 75081
P# 972.774.0300 F# 972.774.0323 CONTACTUS@APEX-GEAR.COM